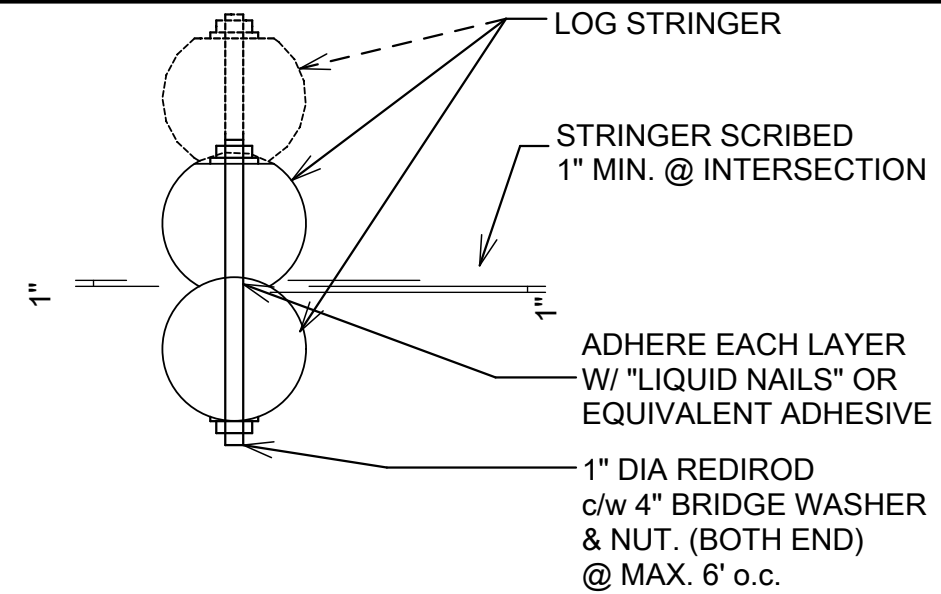


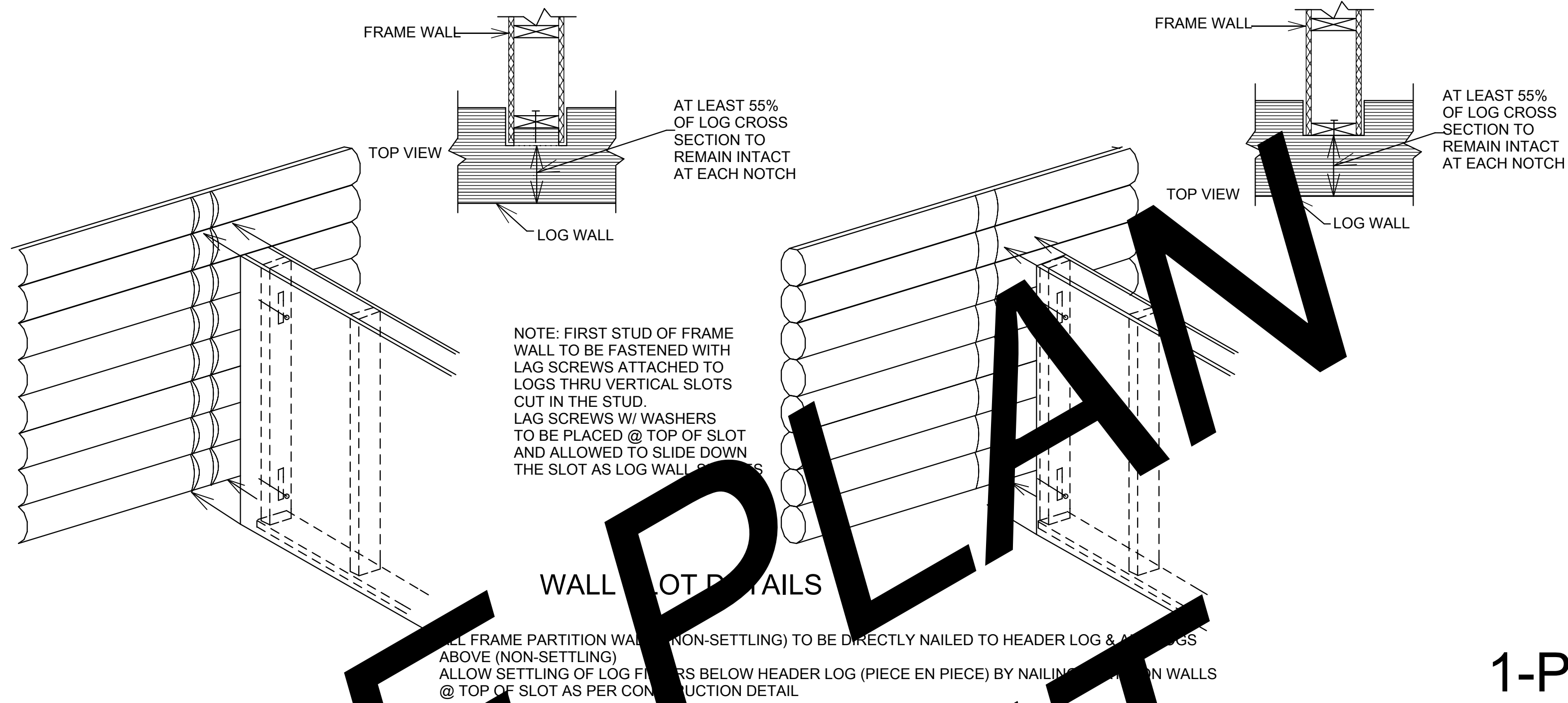
PURLIN TO PURLIN TIE OR
RIDGE POLE TO RIDGE POLE TIE

2-QQ



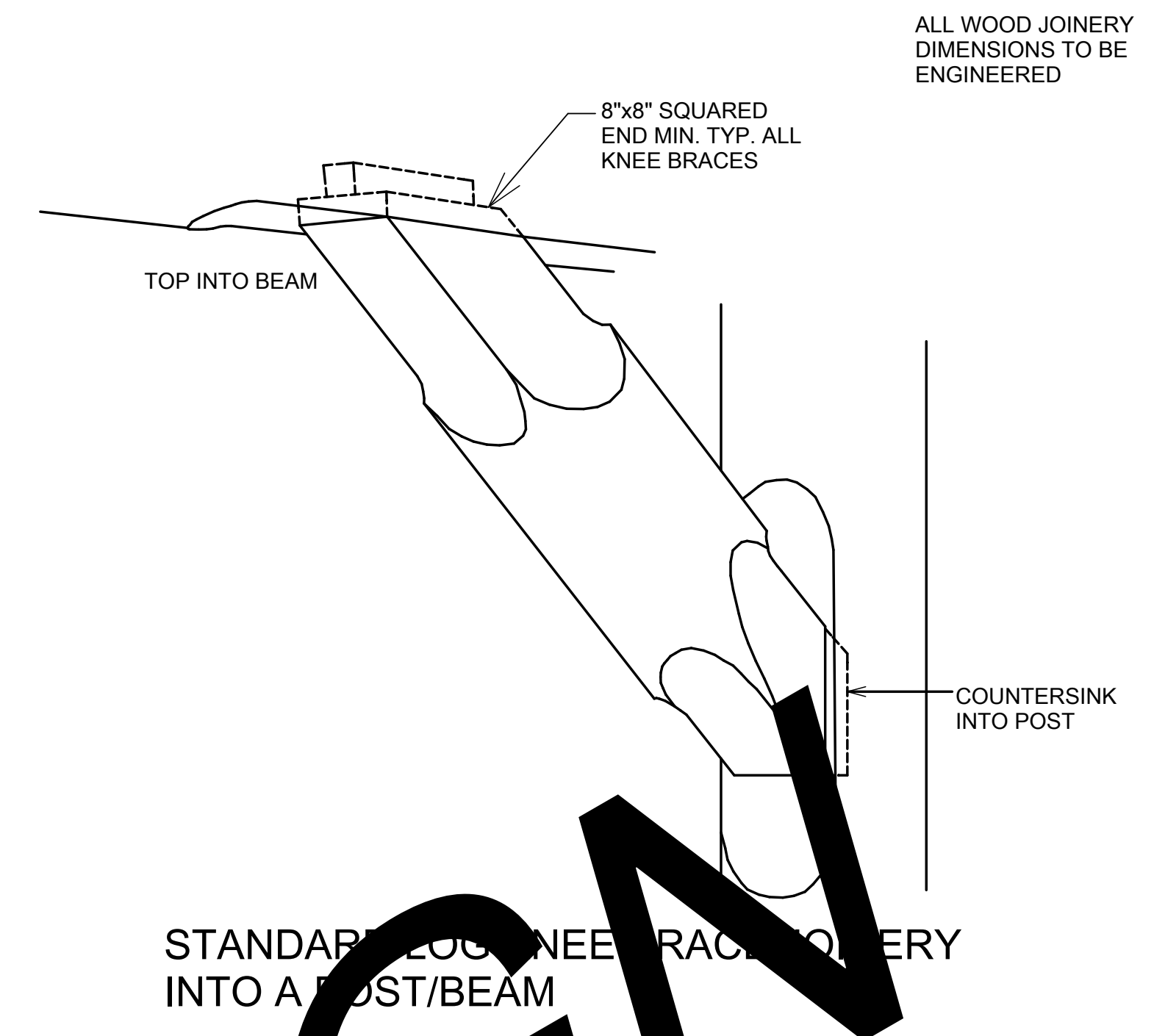
DOUBLE OR TRIPLE LOG
STRINGER BOLTED THRU.

1-T

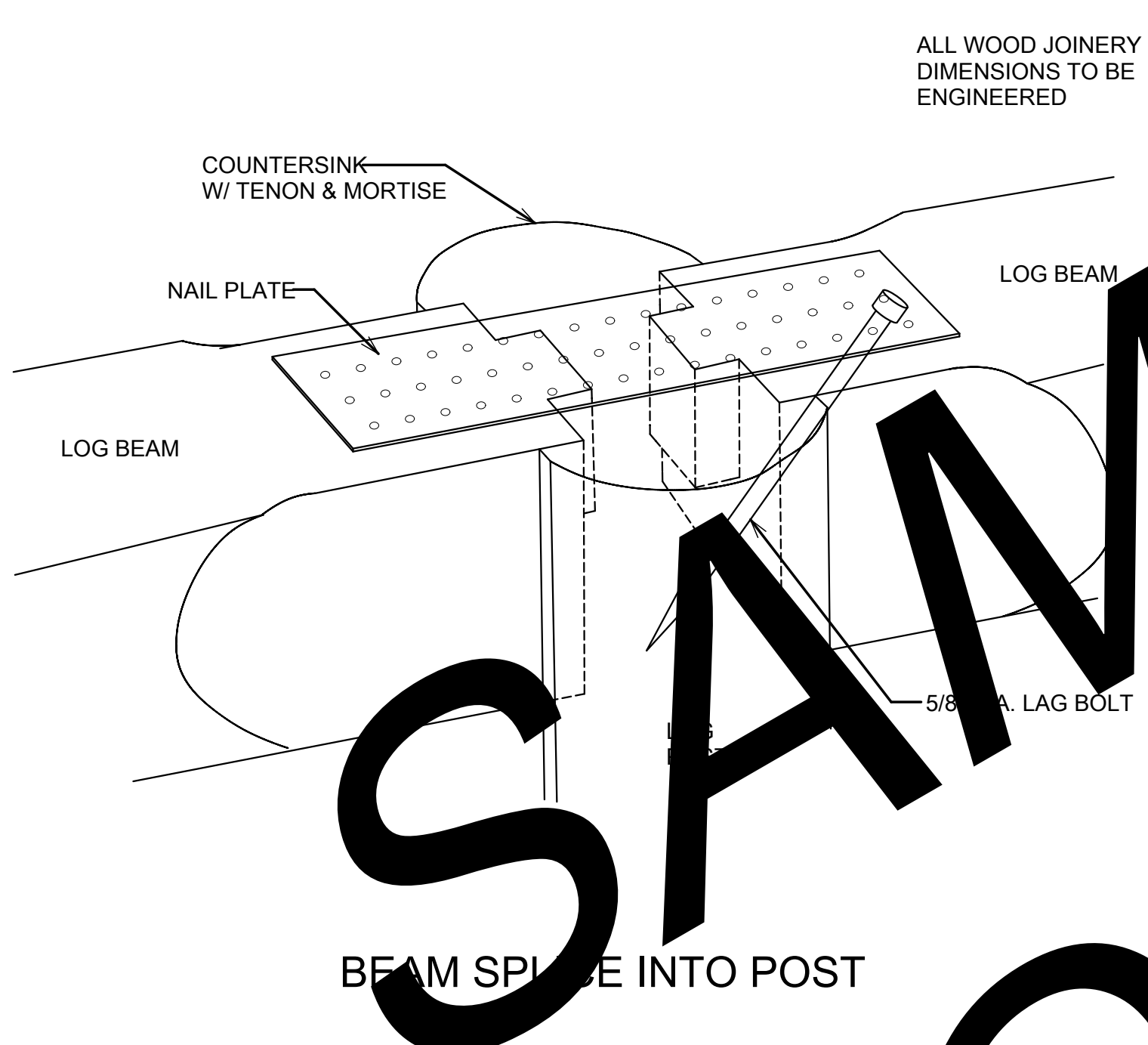


WALL NOT DETAILS

1-P



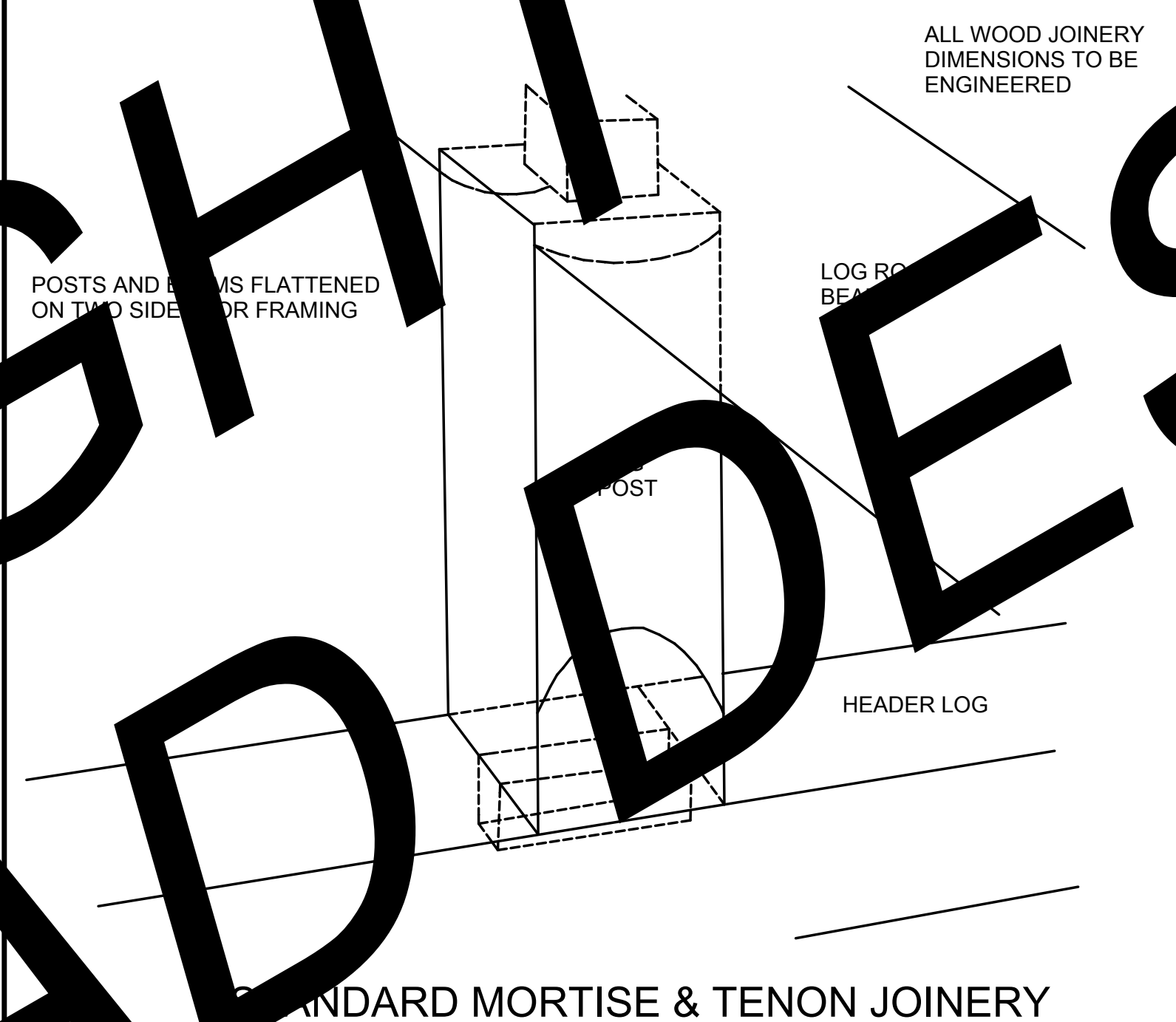
STANDARD LOG KNEE BRACE JOINERY
INTO A POST/BEAM



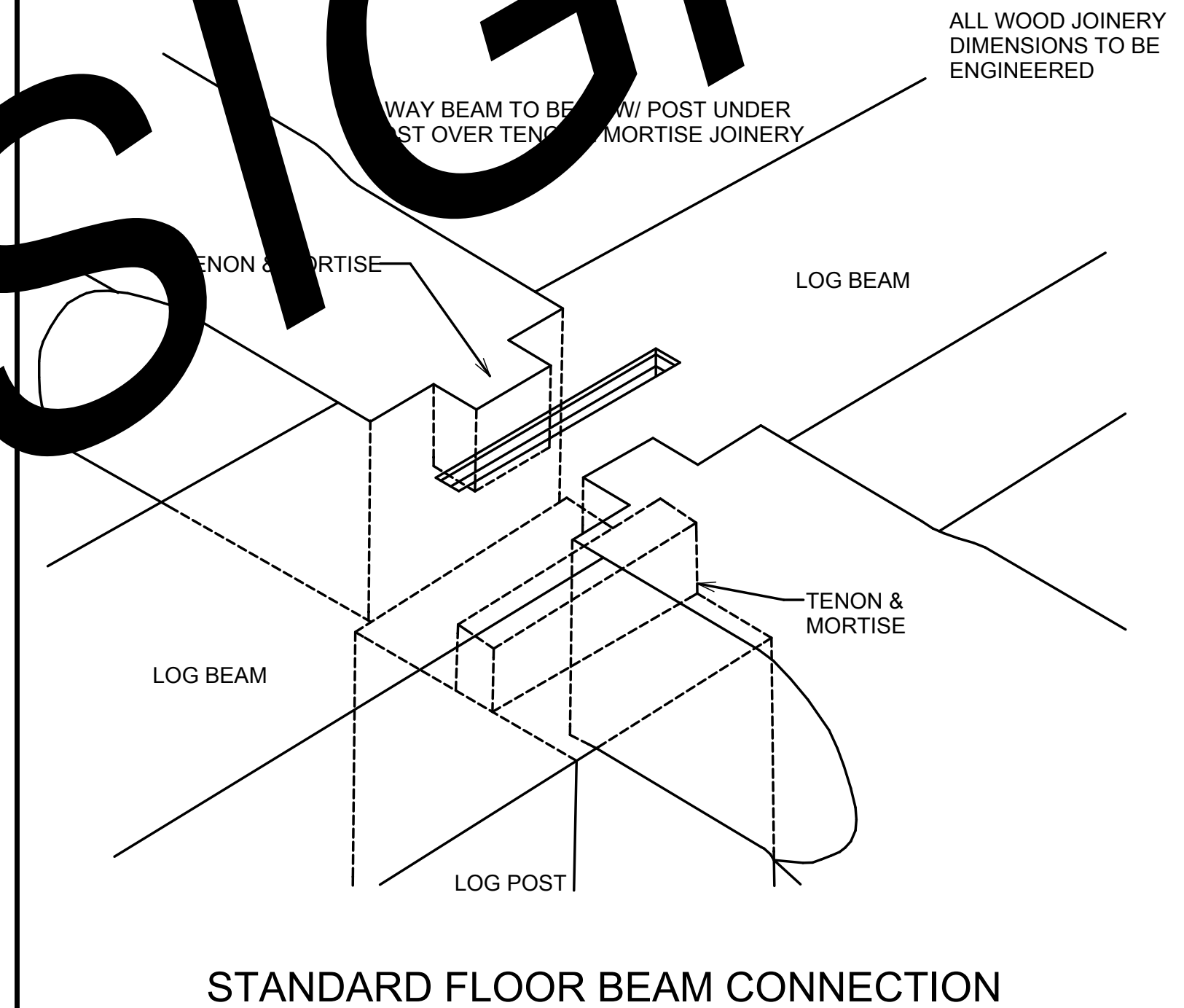
BEAM SPLICE INTO POST



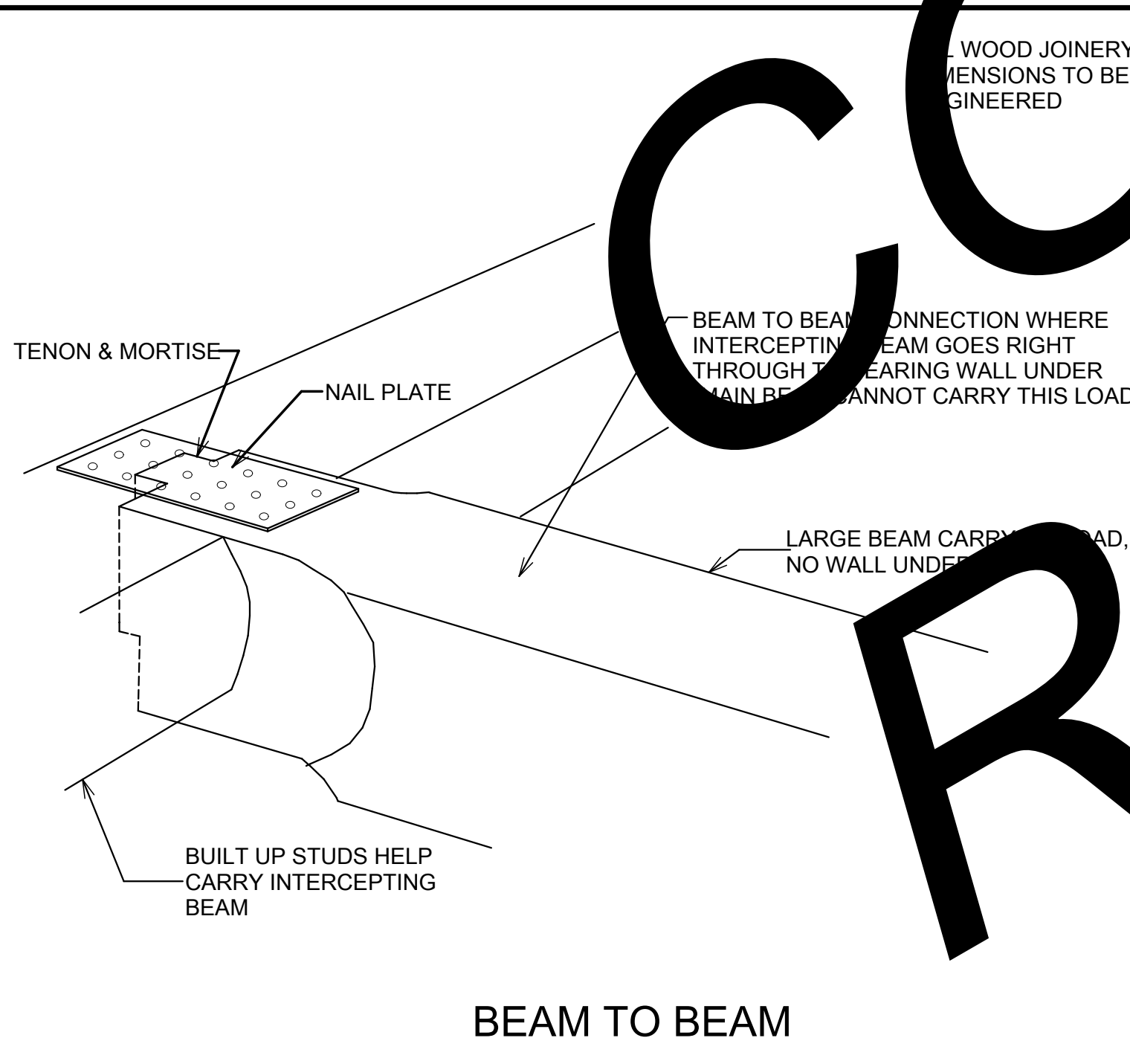
LOG JOIST TO LOG STRINGER
OR LOG HEADER



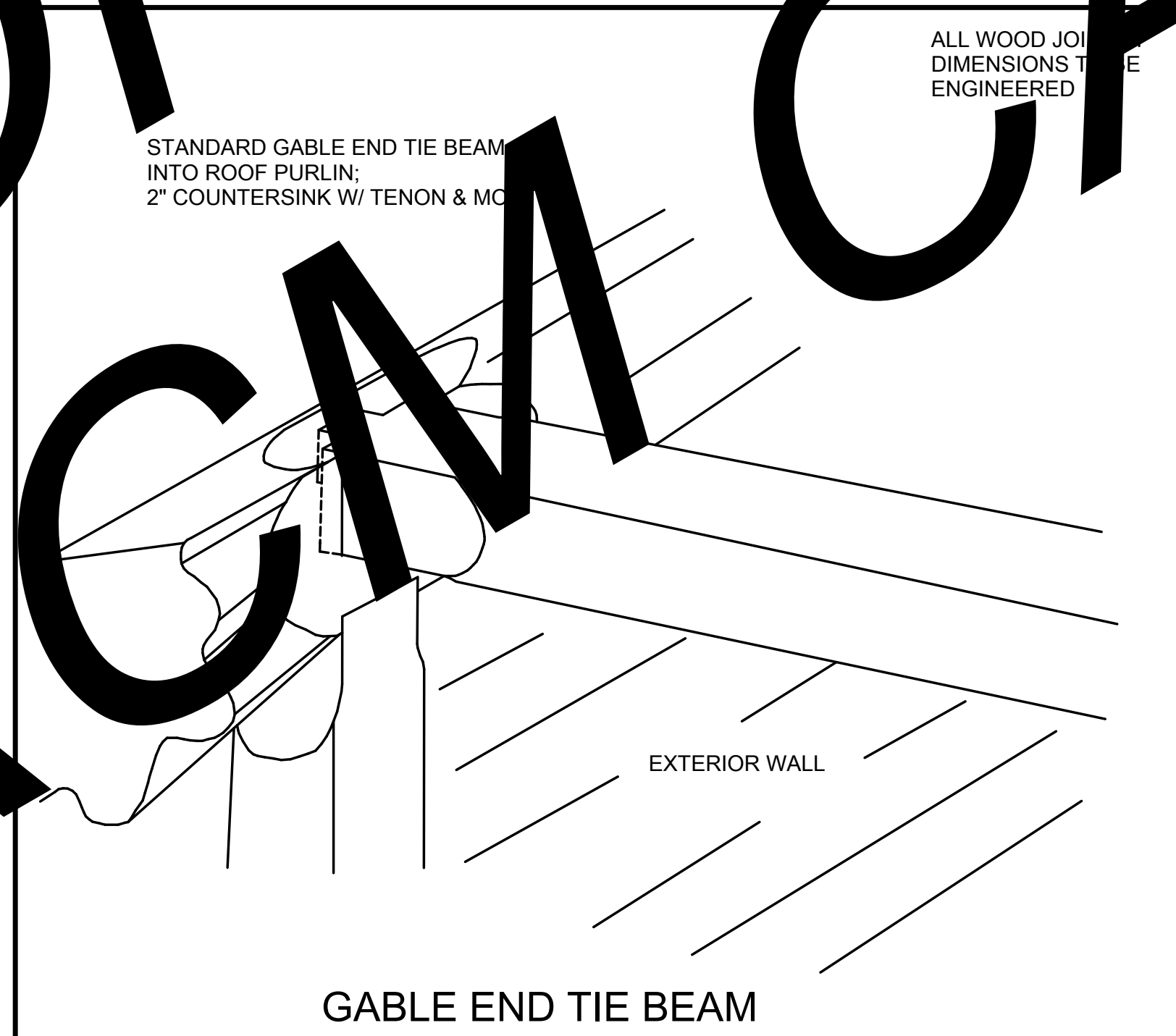
STANDARD MORTISE & TENON JOINERY



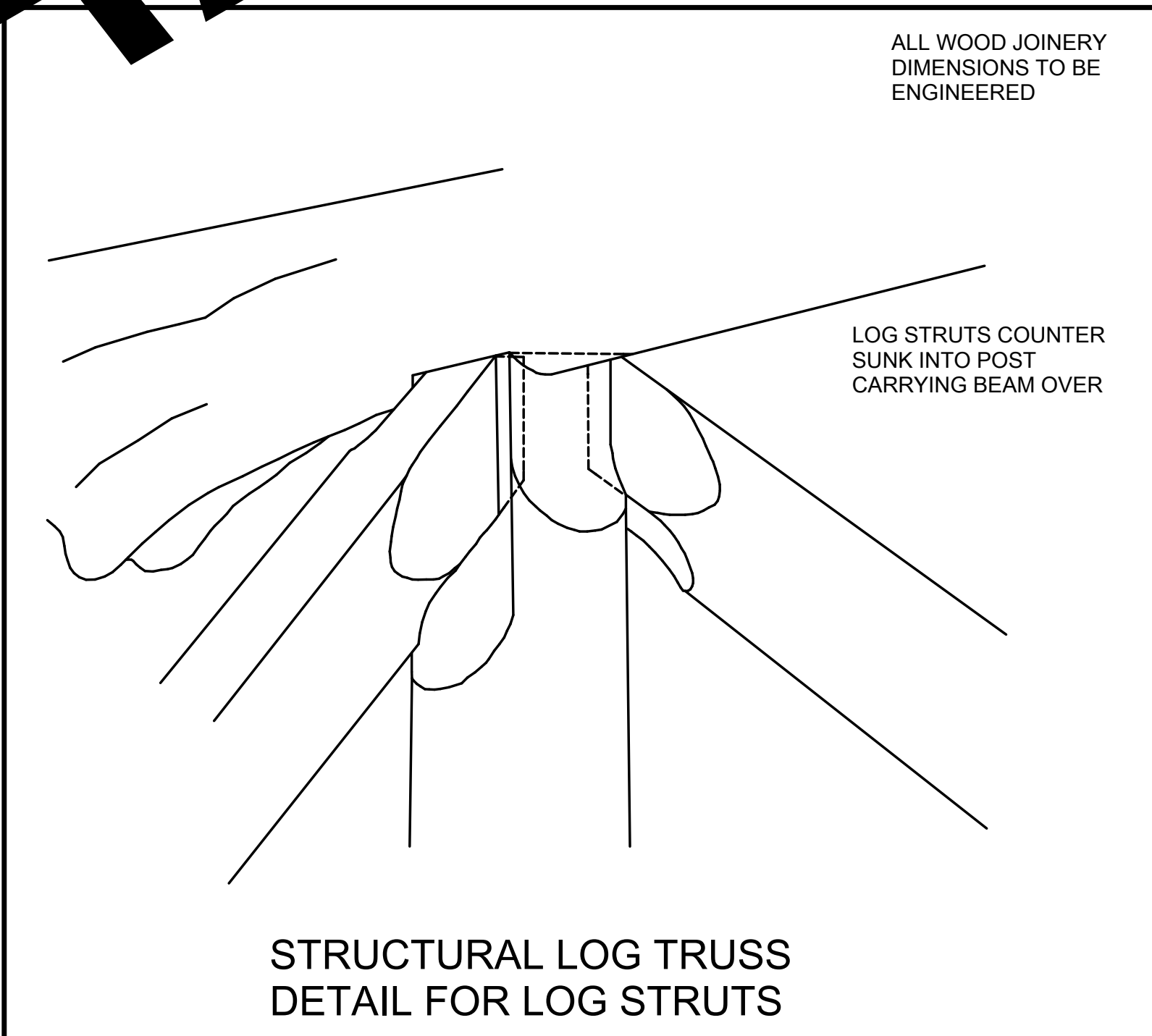
STANDARD FLOOR BEAM CONNECTION



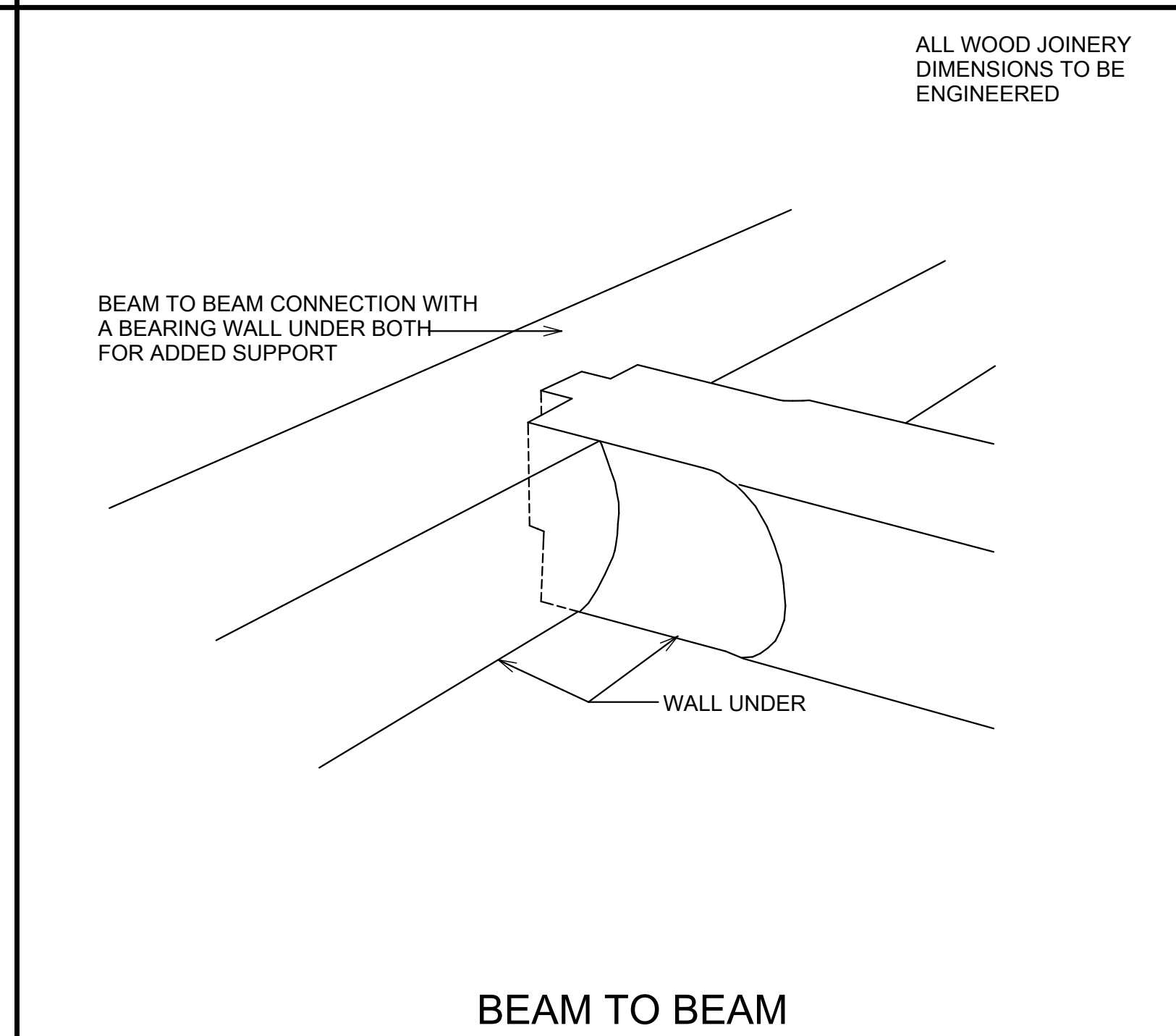
BEAM TO BEAM



GABLE END TIE BEAM



STRUCTURAL LOG TRUSS
DETAIL FOR LOG STRUTS



BEAM TO BEAM

SAMPLE PLAN
COPYRIGHT
R.C.M. CAD DESIGN

LOG BUILDER:	WYOMING
CLIENT:	DETAILS
TITLE:	24
SCALE:	1/8" = 1'-0"
DATE:	JAN. 16, 2007
DRAWN BY:	C.C.
CHECKED BY:	C.C.
REVISION:	REV. 1 REV. 2 REV. 3
DATE:	
DESCRIPTION:	
<p>R.C.M. Cad Design Drafting Ltd. PO BOX 800 SUNAS, WY. 82401 PHONE: (609) 850-8723 FAX: (609) 850-8724 www.loghomedesign.ca</p>	
<p>NOTE: ALL DIMENSIONS TO BE VERIFIED ON SITE BY GENERAL CONTRACTOR IT IS THE SOLE RESPONSIBILITY OF THE GENERAL CONTRACTOR TO COMPLETE SET OF PLANS TO BE ENGINEERED & SEALS OF PLANS BEFORE STARTING CONSTRUCTION OF PROJECT BUILDER IS RESPONSIBLE FOR COMPLYING WITH ALL LOCAL BUILDING CODES AND PRACTICES LICENSED ENGINEER</p>	