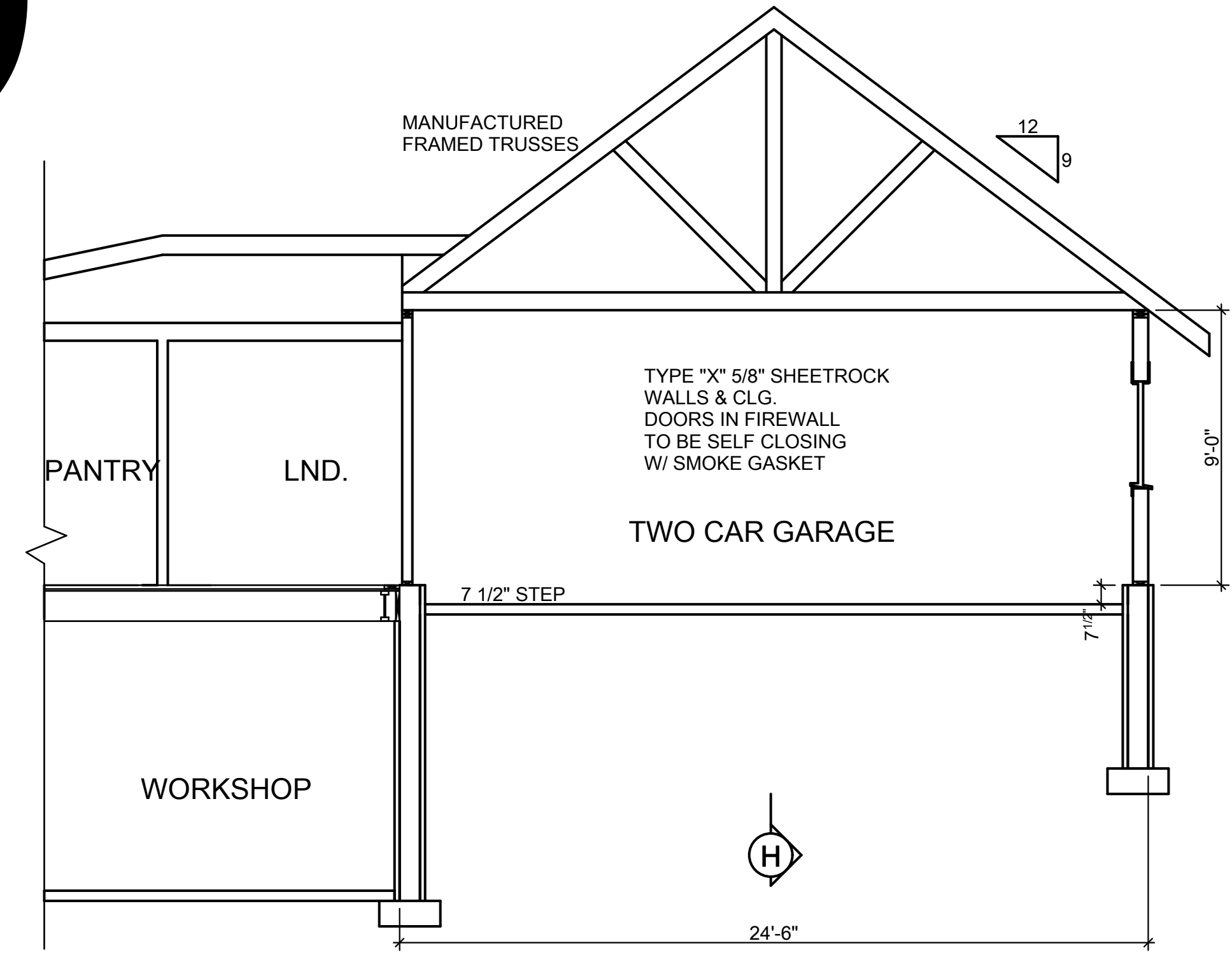
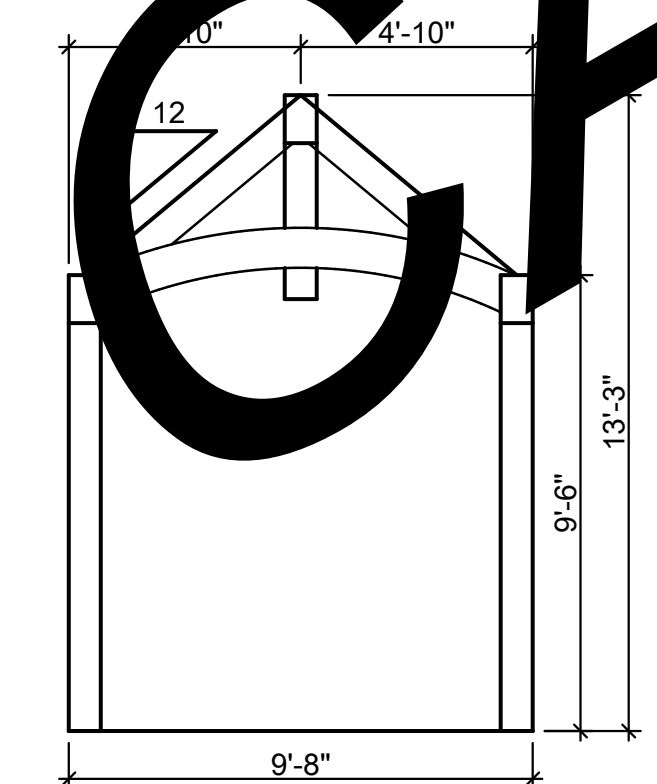
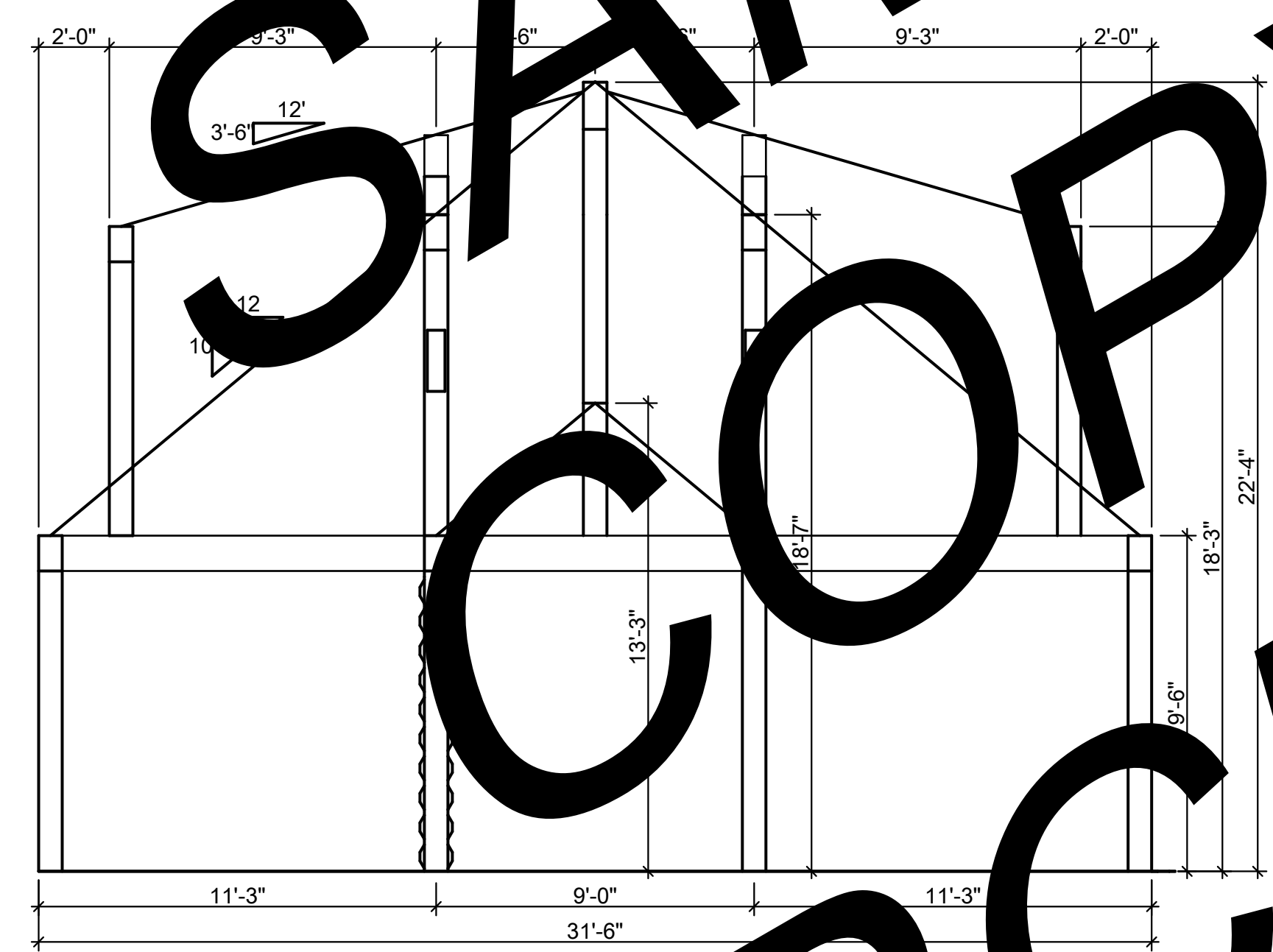
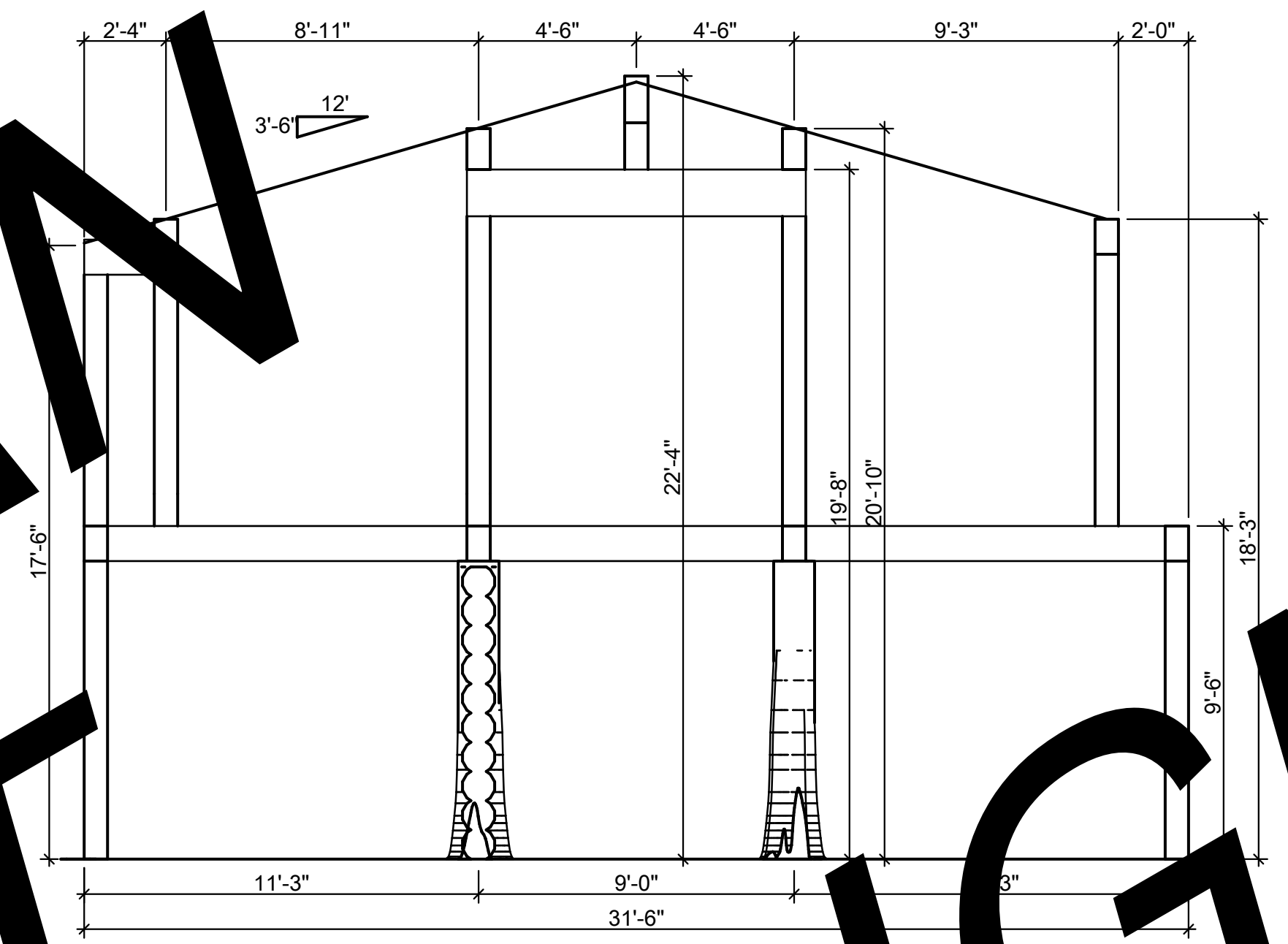
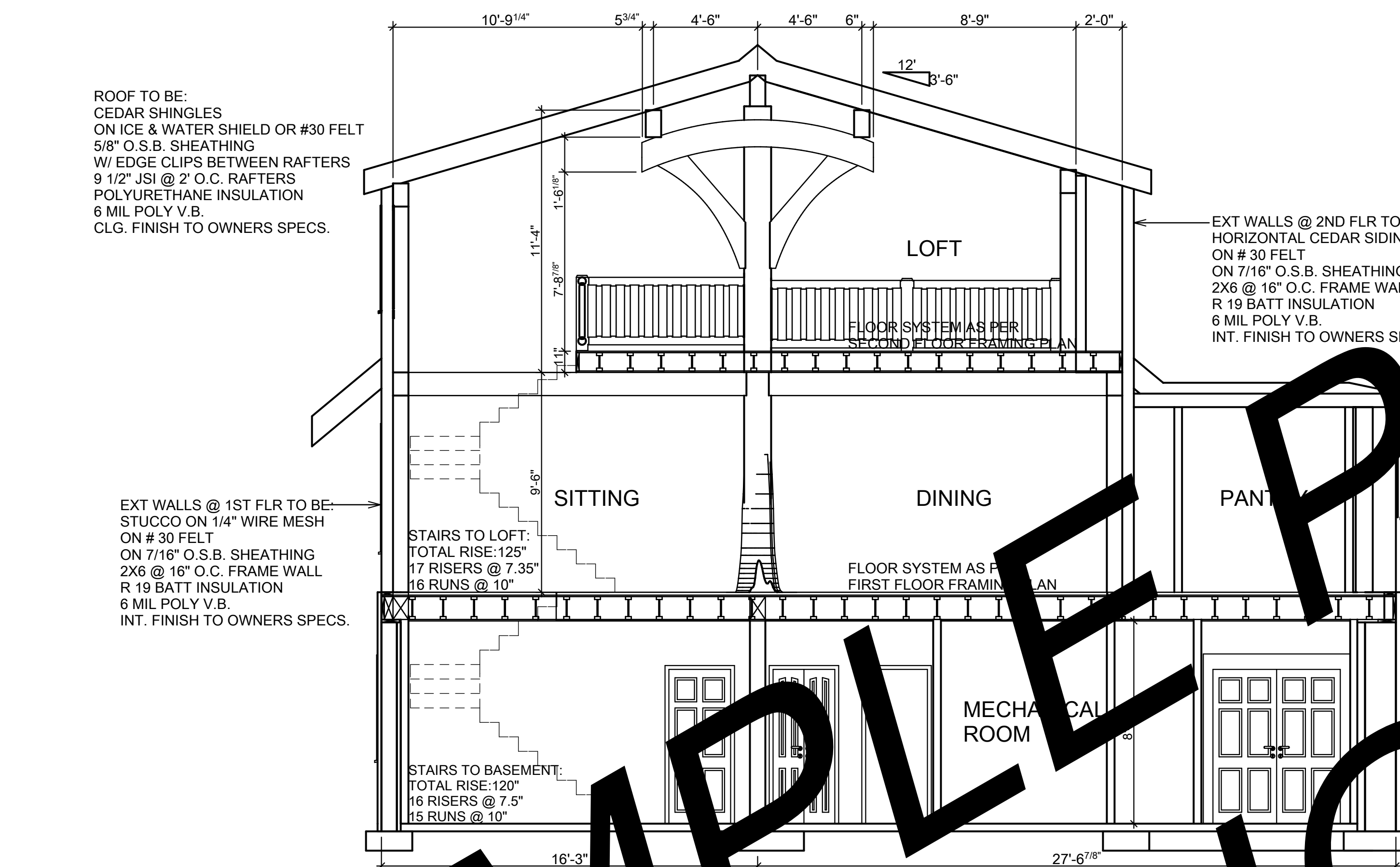


ROOF TO BE:
 CEDAR SHINGLES
 ON ICE & WATER SHIELD OR #30 FELT
 5/8" O.S.B. SHEATHING
 W/ EDGE CLIPS BETWEEN RAFTERS
 9 1/2" JSI @ 2' O.C. RAFTERS
 POLYURETHANE INSULATION
 6 MIL POLY V.B.
 CLG. FINISH TO OWNERS SPECS.

EXT WALLS @ 1ST FLR TO BE:
 STUCCO ON 1/4" WIRE MESH
 ON # 30 FELT
 ON 7/16" O.S.B. SHEATHING
 2X6 @ 16" O.C. FRAME WALL
 R 19 BATT INSULATION
 6 MIL POLY V.B.
 INT. FINISH TO OWNERS SPECS.

EXT WALLS @ 2ND FLR TO BE:
 HORIZONTAL CEDAR SIDING
 ON # 30 FELT
 ON 7/16" O.S.B. SHEATHING
 2X6 @ 16" O.C. FRAME WALL
 R 19 BATT INSULATION
 6 MIL POLY V.B.
 INT. FINISH TO OWNERS SPECS.

EXT WALLS @ 1ST FLR TO BE:
 STUCCO ON 1/4" WIRE MESH
 ON # 30 FELT
 ON 7/16" O.S.B. SHEATHING
 2X6 @ 16" O.C. FRAME WALL
 R 19 BATT INSULATION
 6 MIL POLY V.B.
 INT. FINISH TO OWNERS SPECS.



SAMPLE RIGHT PLAN
 COPYRIGHT R.C.M. CAD DESIGN

LOG BUILDER :	ELK RIDGE	
CLIENT :	ELK RIDGE	
TITLE :	WALL SECTIONS	
SCALE :	1/4" = 1'-0"	
DATE :	MAY 28, 2008	
DRAWN BY :	C.C.	
CHECKED BY :	C.C.	
REVISION:	DATE:	DESCRIPTION:
REV. 1		
REV. 2		
REV. 3		

NOTE:
 ALL DIMENSIONS ARE TO BE VERIFIED ON SITE BY GENERAL CONTRACTOR
 COMPLIANCE WITH ALL LOCAL BUILDING CODES AND PRACTICES.
 IT IS THE SOLE RESPONSIBILITY OF THE GENERAL CONTRACTOR TO
 CHECK & VERIFY ALL DIMENSIONS & SPECIFICATIONS ON THIS SET
 OF PLANS BEFORE STARTING CONSTRUCTION.
 LICENSING BOARD OF ARCHITECTS, ENGINEERS & PROFESSIONAL DESIGNERS
 STAMPED BY
 R.C.M. CAD DESIGN
 LICENSING BOARD OF ARCHITECTS, ENGINEERS & PROFESSIONAL DESIGNERS
 STAMPED BY
 R.C.M. CAD DESIGN

R.C.M. Cad Design
 Drafting Ltd.
 290, 343, 480 ST. JAMES ST. UNIT 10
 ABBOTSFORD, BC, V3G 1J1
 PHONE: (604) 850-6723 FAX: (604) 850-6734
 www.loghome-design.ca